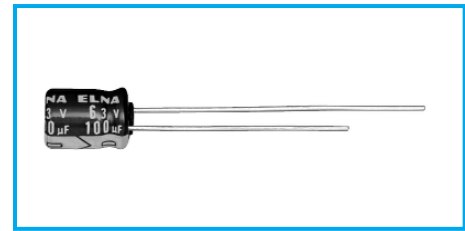


7mm L, Standard Capacitors Series RC2

- Conventional RC2 further downsized, diameters from $\phi 4$ to $\phi 8$ mm.
- Guarantees 1000 hours at 85°C.



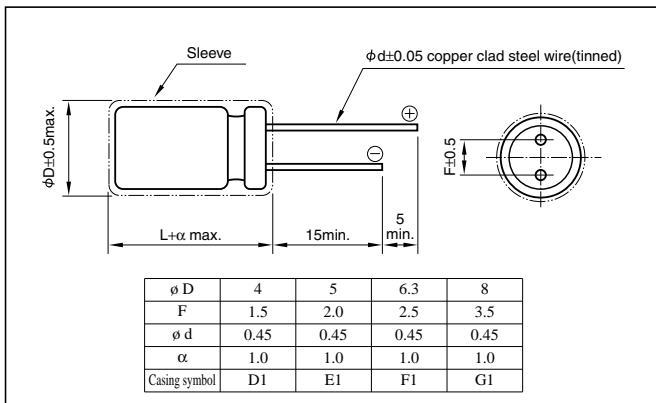
Marking color : White print on a blue sleeve or
Black print on a yellow sleeve

Specifications

Item	Performance									
Category temperature range (°C)	-40 to +85									
Tolerance at rated capacitance (%)	±20 (20°C, 120Hz)									
Leakage current (µA)	Less than 0.01CV or 3 whichever is larger(after 2 minutes) C: Rated capacitance(µF); V: Rated voltage(V) (20°C)									
Tangent of loss angle (tanδ)	Rated voltage (V)	4	6.3	10	16	25	35	50	63	100
	tanδ (max.)	0.35	0.24	0.20	0.16	0.14	0.12	0.10	0.08	0.08
Characteristics at high and low temperature	Impedance ratio (max.)	Z-25°C / Z+20°C								
		Z-40°C / Z+20°C								
Endurance (85°C) (Applied ripple current)	Test time	1000 hours								
	Leakage current	The initial specified value or less								
	Percentage of capacitance change	Within ±20% of initial value								
	Tangent of the loss angle	200% or less of the initial specified value								
Shelf life (85°C)	Test time : 1000 hours; other items are the same as those for the endurance. Voltage application treatment : According to JIS C5101-1									
Applicable standards	JIS C5101-1, -4 1998 (IEC 60384-1 1992, -4 1985)									

Outline Drawing

Unit: mm



Coefficient of Frequency for Rated Ripple Current

Rated voltage(V)	Frequency(Hz)			
	50 · 60	120	1k	10k · 100k
4 to 16	0.8	1	1.1	1.2
25 to 35	0.8	1	1.5	1.7
50 to 100	0.8	1	1.6	1.9

Part numbering system (example: 10V220µF)

Environmental item	RC2	—	10	V	221	M	G1	#
	Series code		Rated voltage symbol		Rated capacitance symbol	Capacitance tolerance symbol	Casing symbol	
Former item	RC2	—	10	V	221	M		
	Series code		Rated voltage symbol		Rated capacitance symbol	Capacitance tolerance symbol	Additional symbol	

Standard Ratings

Rated capacitance(µF)	4		6.3		10		16		25		35		50		63		100	
	Case	Rated ripple current	Case	Rated ripple current	Case	Rated ripple current	Case	Rated ripple current	Case	Rated ripple current	Case	Rated ripple current	Case	Rated ripple current	Case	Rated ripple current	Case	Rated ripple current
0.1	—	—	—	—	—	—	—	—	—	—	—	—	—	—	—	—	—	—
0.22	—	—	—	—	—	—	—	—	—	—	—	—	4x7	4	4x7	4	—	—
0.33	—	—	—	—	—	—	—	—	—	—	—	—	4x7	7	4x7	7	—	—
0.47	—	—	—	—	—	—	—	—	—	—	—	—	4x7	8	4x7	8	—	—
1	—	—	—	—	—	—	—	—	—	—	—	—	4x7	10	4x7	10	4x7	12
2.2	—	—	—	—	—	—	—	—	—	—	—	—	4x7	15	4x7	15	5x7	20
3.3	—	—	—	—	—	—	—	—	4x7	15	4x7	15	4x7	20	4x7	23	6.3x7	30
4.7	—	—	—	—	—	—	—	—	4x7	20	4x7	20	4x7	24	5x7	30	6.3x7	35
10	—	—	—	—	—	—	4x7	25	4x7	30	4x7	30	5x7	40	6.3x7	50	—	—
22	—	—	4x7	35	4x7	35	4x7	40	5x7	50	5x7	55	6.3x7	70	—	—	—	—
33	4x7	35	4x7	40	4x7	45	5x7	55	6.3x7	70	6.3x7	75	8x7	100	—	—	—	—
47	4x7	40	4x7	50	5x7	60	5x7	70	6.3x7	85	8x7	110	—	—	—	—	—	—
100	5x7	70	5x7	80	6.3x7	105	6.3x7	120	8x7	145	—	—	—	—	—	—	—	—
220	6.3x7	120	6.3x7	140	8x7	185	8x7	205	—	—	—	—	—	—	—	—	—	—
330	8x7	170	8x7	205	—	—	—	—	—	—	—	—	—	—	—	—	—	—

(Note) Rated ripple current : 85°C, 120Hz.